



FUEL MANAGEMENT SYSTEMS



DISPENSERS



KITS



PUMPS



METERS



NOZZLES

# K600/4

## FEATURES

- EASY TO INSTALL AND TO CALIBRATE
- VERSATILE
- HIGH PRECISION

The PIUSI K600/4 is an oval gear meter suitable for monitoring the delivery of fuels. This special version is particularly suitable for all applications in the industrial sector.

### PERFORMANCE

**15-150**

L/MIN

FLOW RATE

**20 BAR**

MAX

OPERATING PRESSURE

**± 0,5%**

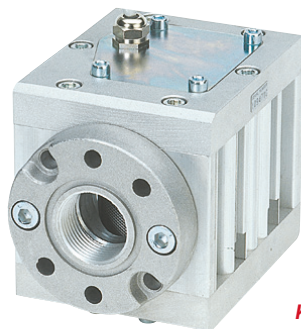
ACCURACY

**0,2%**

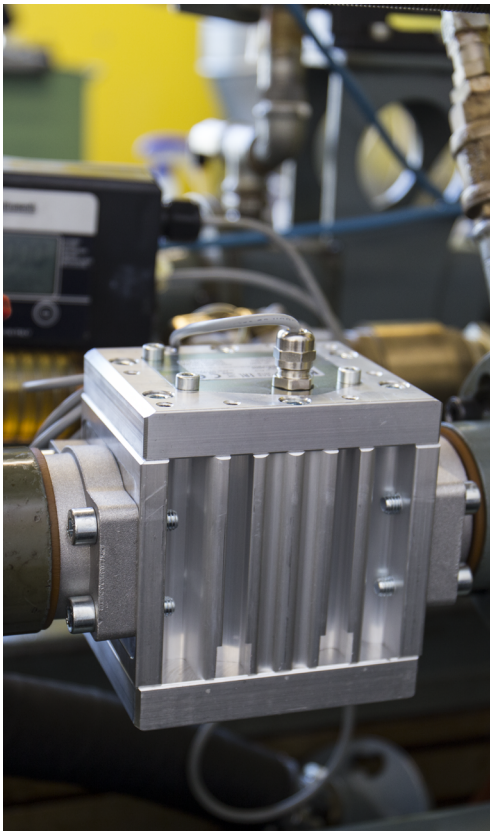
REPEATABILITY



K600/4



K600/4 PULSER



### PACKAGING

CODE	WEIGHT		PACKAGING		
	KG	LBS	MM	INCH	PCS/BOX
<b>METER</b>					
<b>00049700A</b>	3,2	7	200X120X140	7,9X4,7X5,5	1
<b>PULSER</b>					
<b>000473000</b>	3,2	7	200X120X140	7,9X4,7X5,5	1



FILTRATION



TANK MONITORING



HOSE REEL



ACCESSORIES



MERCHANDISE



AIR



ANTIFREEZE



AdBlue®



BIODIESEL



DIESEL



FOOD



GASOLINE



GREASE



KEROSENE



OIL

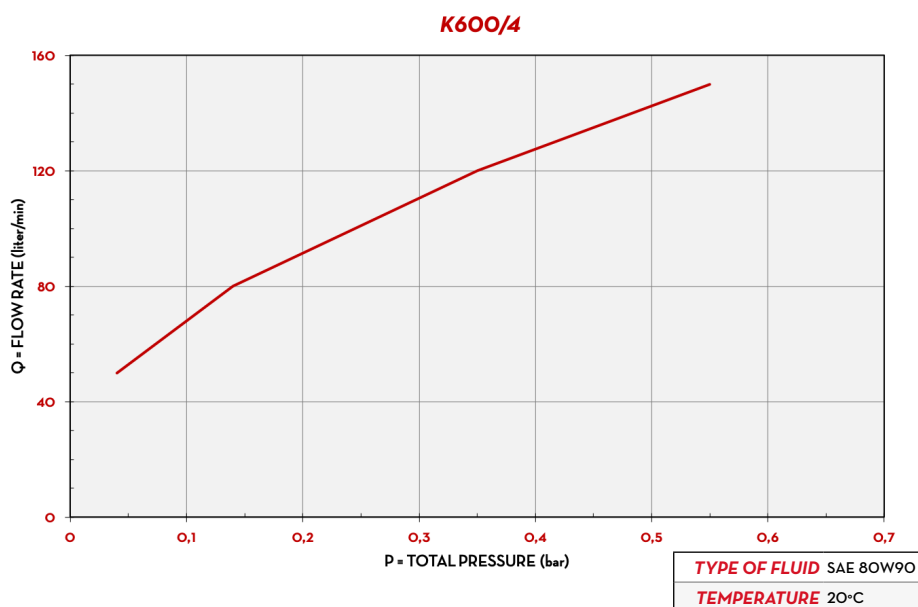


WATER



WINDSCREEN

## CHART



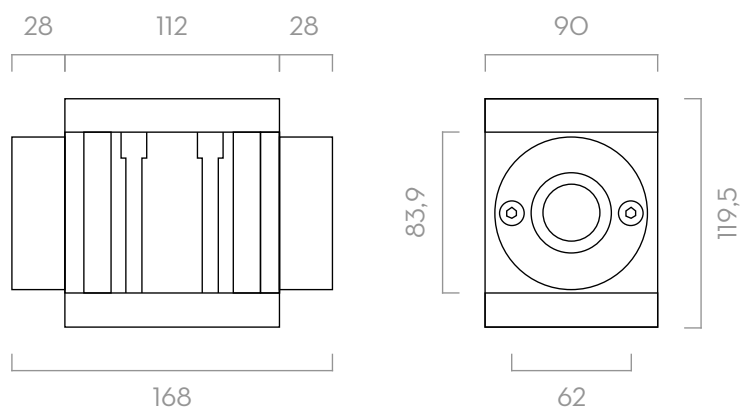
## IN THE BOX

- K600/4 METER
- FLANGES
- INSTRUCTION MANUAL

## DETAILS



## DIMENSIONS



Dimensions expressed in millimeters

## MATERIALS

- BODY: ALUMINIUM
- GEARS: TECHNOPOLYMER

## TECHNICAL DATA

CODE	DESCRIPTION	FLUIDS TYPE	FLOW RATE		PULSER		PRESSURE		BATTERY N°2 X 1,5V (INCLUDED)	FLANGE	INLET / OUTLET	INLET FILTER
			L/MIN	GPM	P/L	GPM	BAR	PSI				
<b>00049700A</b>	K600/4	<span style="color: blue;">A</span> <span style="color: green;">B</span> <span style="color: red;">D</span> <span style="color: orange;">O</span>	15 - 150	3,9 - 39	-	-	20	284	YES	YES	1 1/2" BSP	YES
<b>000473000</b>	K600/4 PULSER	<span style="color: blue;">A</span> <span style="color: green;">B</span> <span style="color: red;">D</span> <span style="color: orange;">O</span>	15 - 150	3,9 - 39	26	98	20	300	NO	YES	1 1/2"	YES

UPON REQUEST AVAILABLE IN NPT VERSION.

# K600/4